

BB-8 V3.1 Panel Orientation Guide

Revision 1.06 12/27/17

LED Locations

Panel 1 (Front): 4 Blue.

Panel 2 (Right): 1 Red, 1 Blue (behind square button shape).

Panel 3 (Bottom): 1 Blue (may be Green at some times)

Panel 4 (Top): 1 Blue, 1 Red.

Panel 5 (Left): 1 Blue.

Panel 6 (Back): 4 Red, 1 Yellow, 1 Blue.

Number of Orange Rings to print

Ring 1: 3

Ring 2: 2

Ring 3: 1

One Piece Files

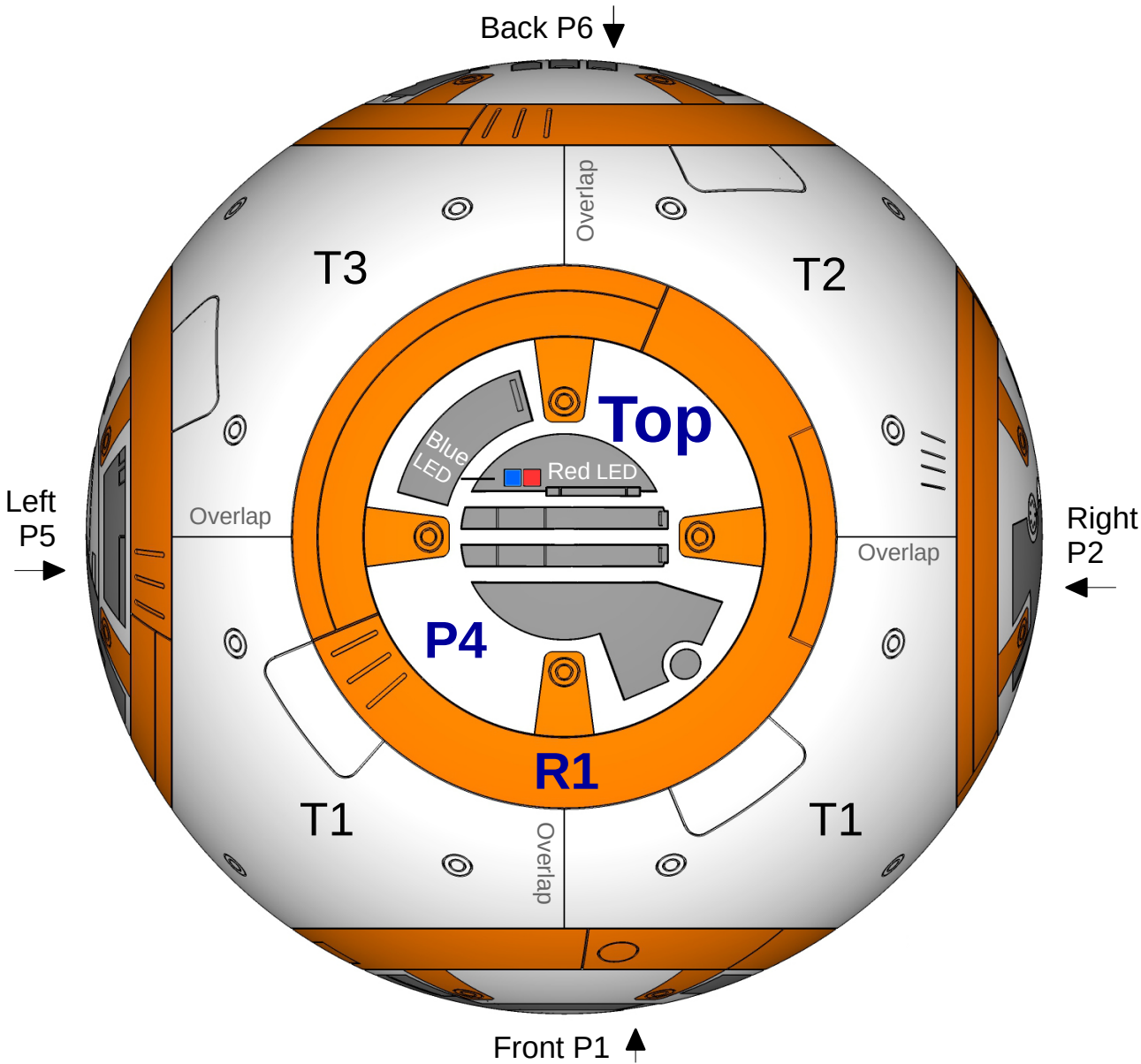
One piece V3.1 Triangles are available in the Body Outer Panels download. (The "Large Format Files" download link is for the v2 files).

One Piece Circular Panels are now available in the Files section.

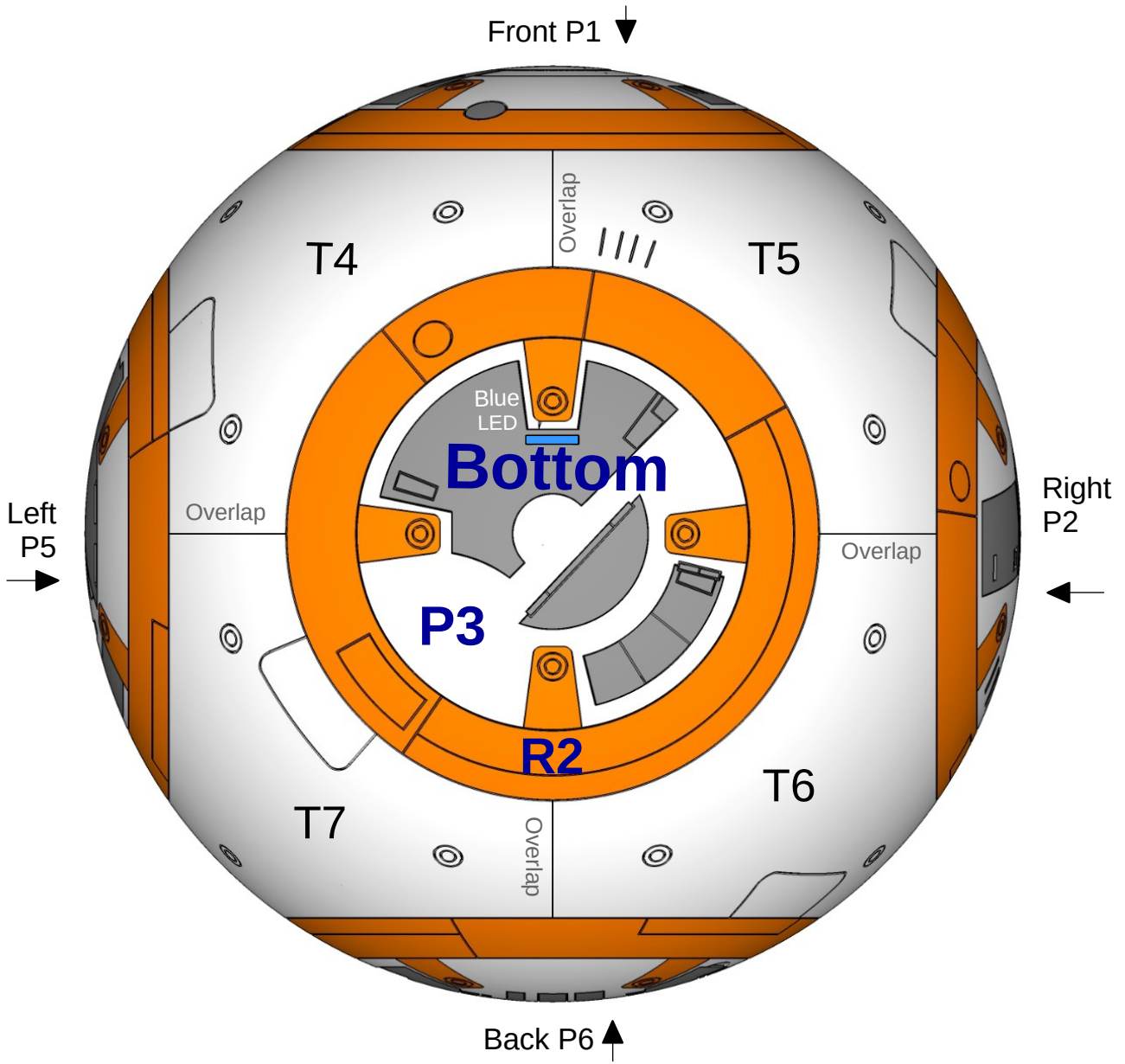
Community Files

To find the Community files on the Forum: click Wiki, then Community files.

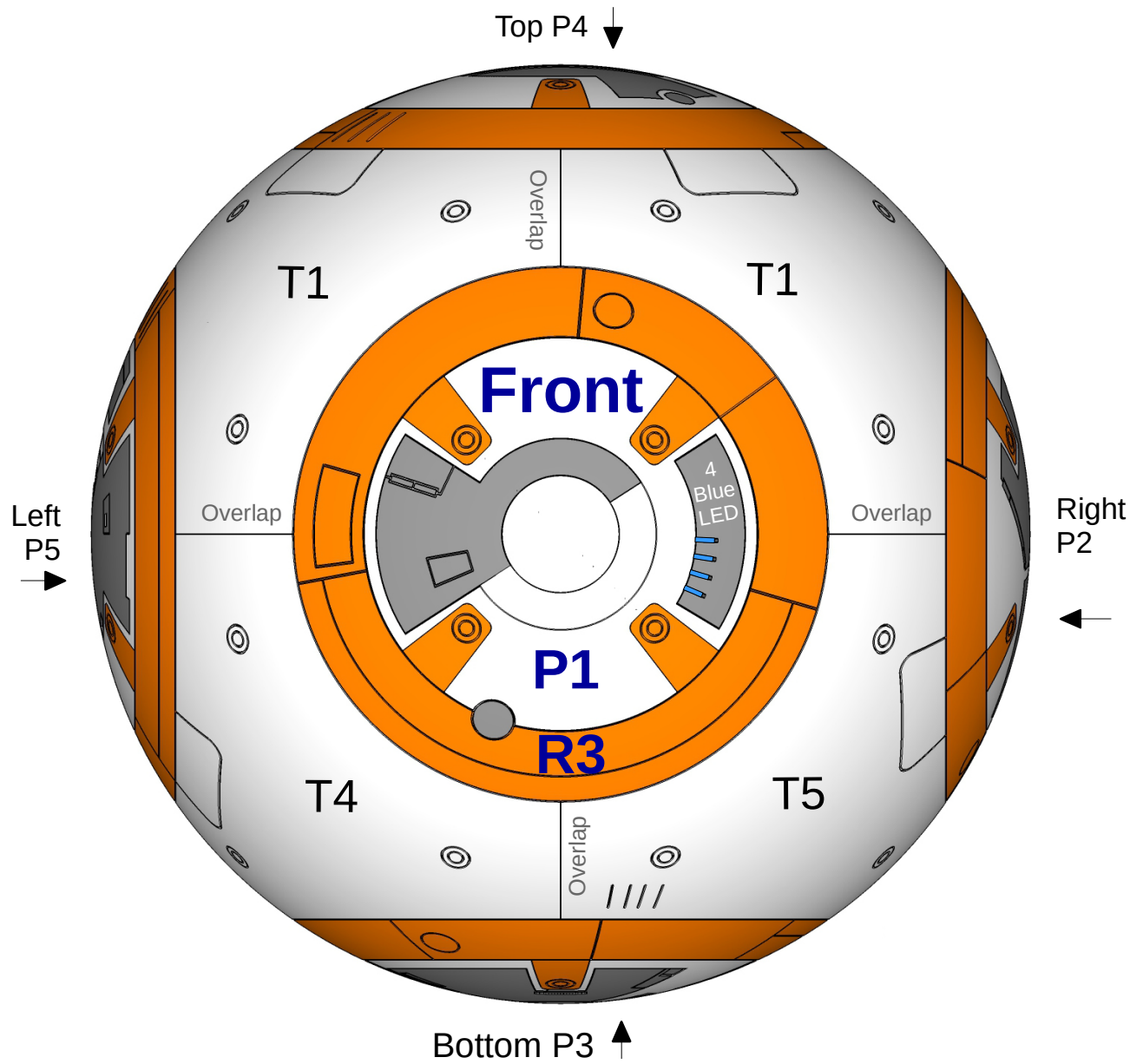
Top View



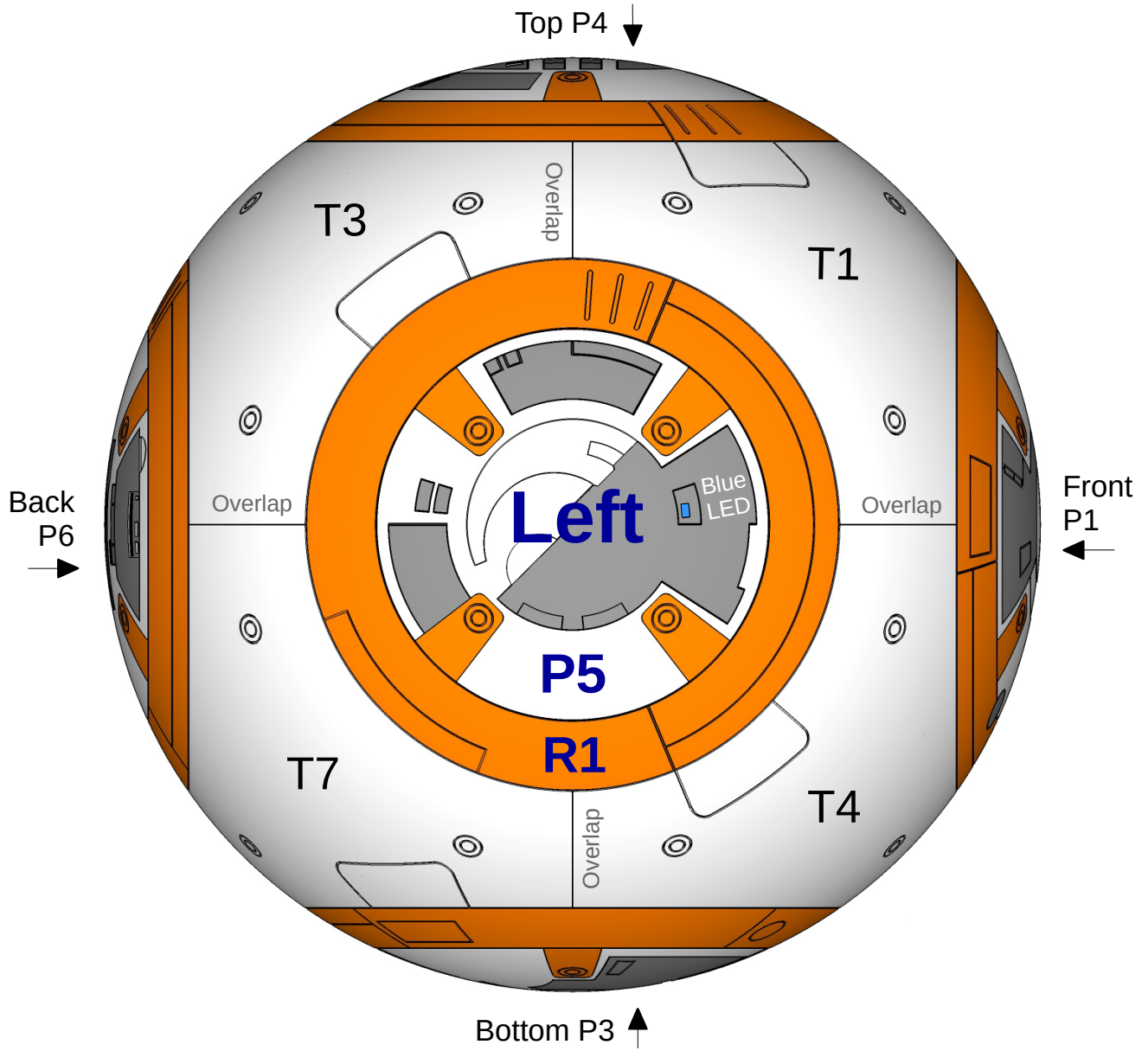
Bottom View



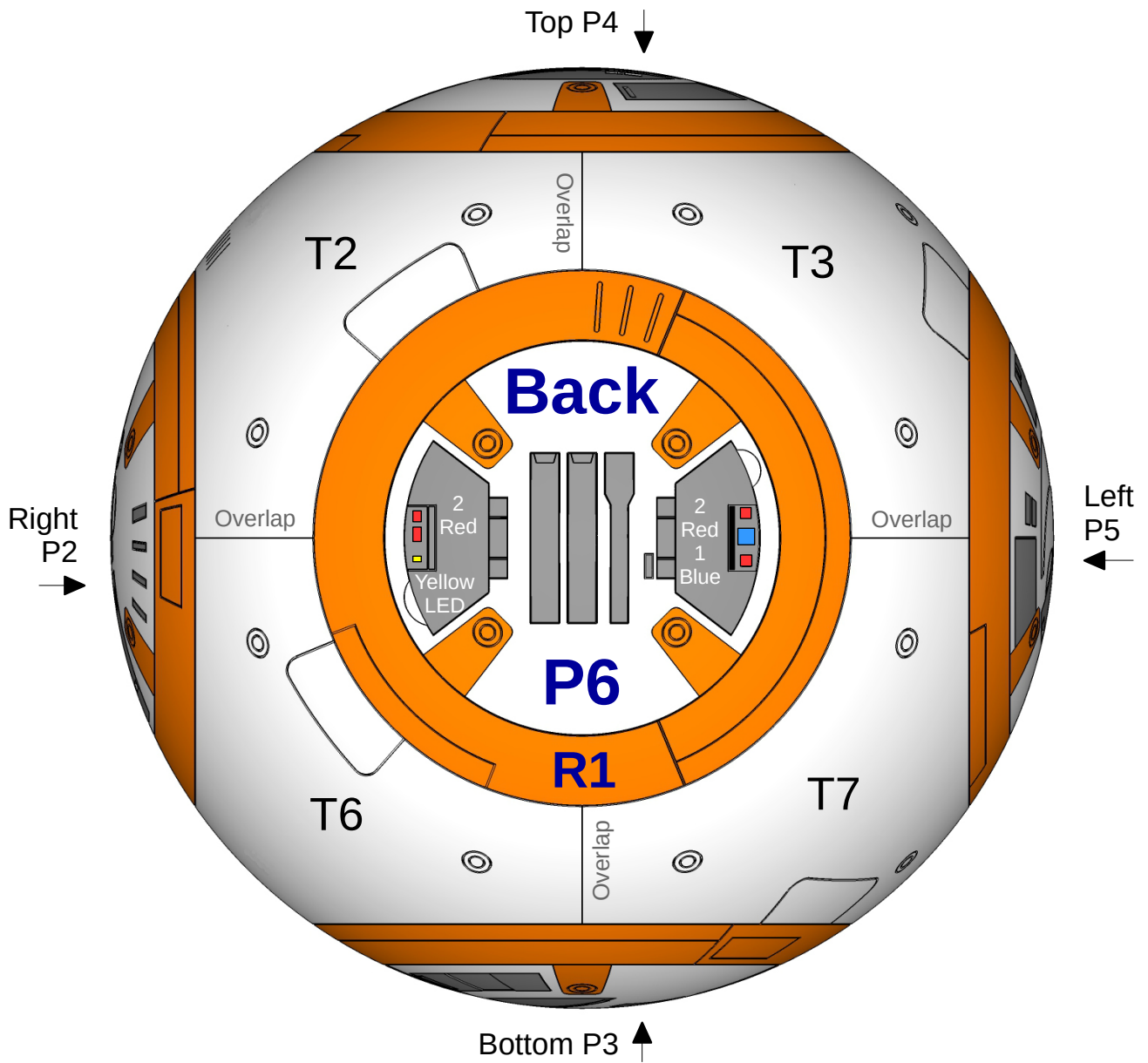
Front View



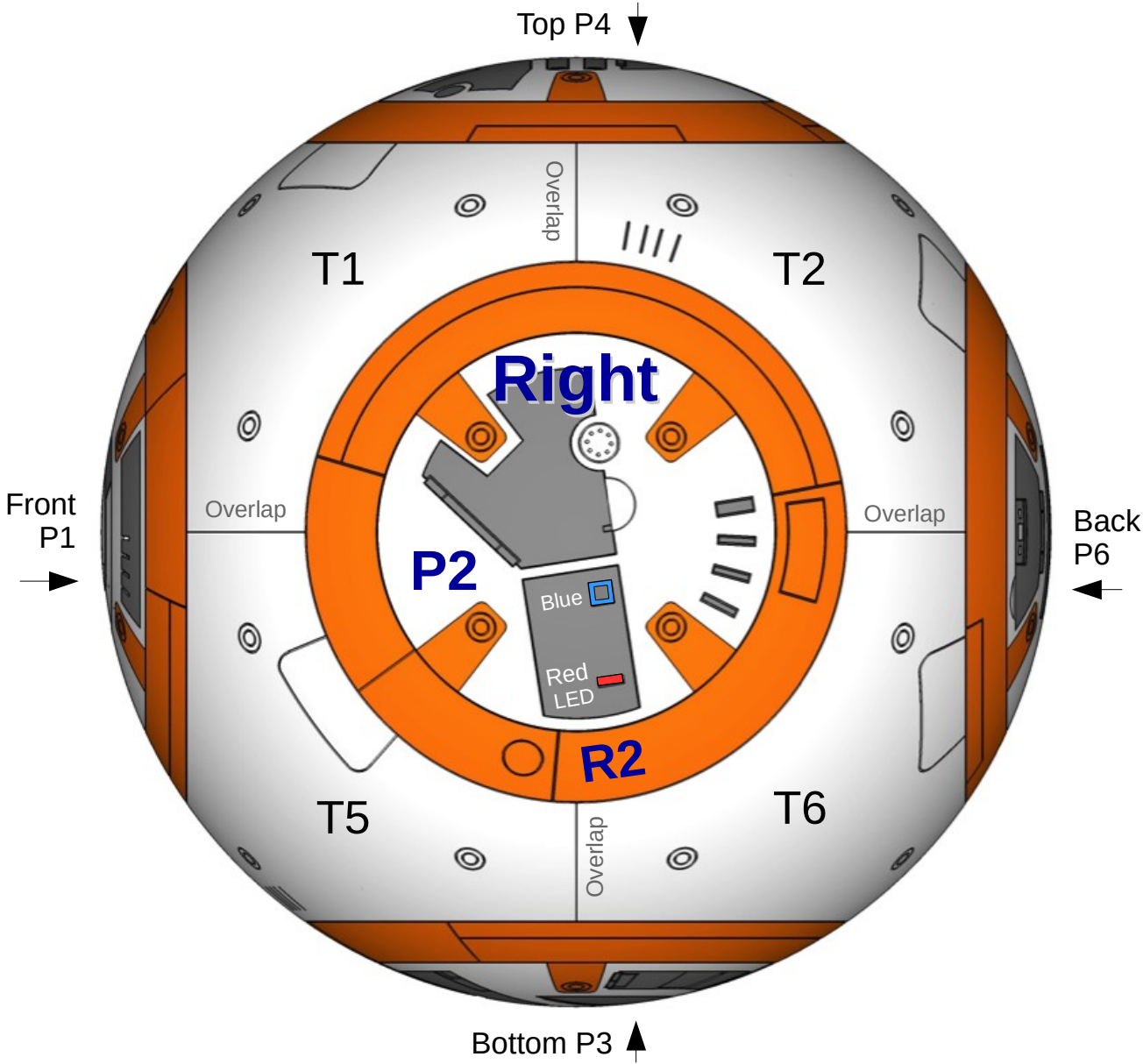
Left View



Back View



Right View



Acknowledgements:

The BB-8 graphics used in this guide were created by Tiny Panganiban & Michael Erwin and released under the Creative Commons License below.

Changes made v1.0 through v1.04 of this guide:

The graphics were modified by Paul Wanamaker on/after 7/16/17 to:

- Show the Triangle and Center Panel locations, the Ring locations, and the Overlaps for V3.00 panels.
- Added some LED locations and colors, number of triangles to print, information about large format files.
- Correct the shape and placement of the lights on Panel 6 to match the V3 panels.

v1.05 7/27/17 Indicate the blue light behind the square button shape on Panel 2.

V1.06 12/12/17 Indicate that the light on panel 3 may be green at some times.

Creative Common License v4.0 BY NC SA

This document is licensed under a **Creative Commons Attribution-NonCommercial-ShareAlike 4.0 International License**.

In Human readable format:

You are free to:

Share — copy and redistribute the material in any medium or format.

Adapt — remix, transform, and build upon the material.

- The licensor cannot revoke these freedoms as long as you follow the license terms.

Under the following terms:

Attribution — You must give **appropriate credit**, provide a link to the license, and **indicate if changes were made**. You may do so in any reasonable manner, but not in any way that suggests the licensor endorses you or your use.

NonCommercial — You may not use the material for commercial purposes.

ShareAlike — If you remix, transform, or build upon the material, you must distribute your contributions under the same license as the original.

- **No additional restrictions** — You may not apply legal terms or technological measures that legally restrict others from doing anything the license permits.

Additional details are located at:

<http://creativecommons.org/licenses/by-nc-sa/4.0/legalcode>

All finished image rights, belong to respective image property owners.